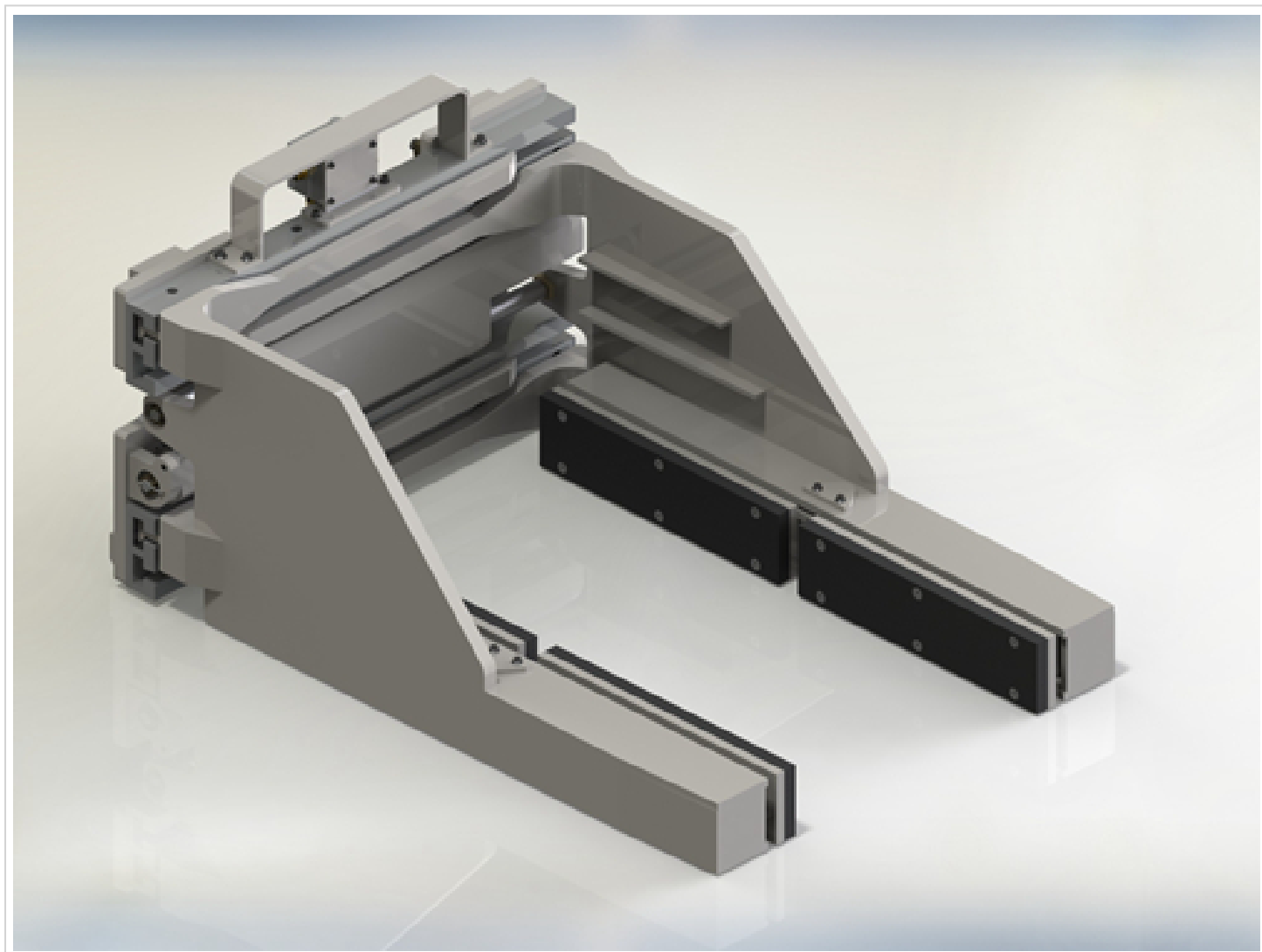


Brick-Block Clamp FEM III

[Click aici sa vezi produsul](#)



Capacitate@Incarcare	Model	Clasa	Deschidere (mm)	Lungime brat(L) (mm)	Inaltime brat (H) (mm)	Grosime brat (T) (mm)	Latime rama (T) (mm)	CGV(mm)	CGH(mm)	ET(mm)	Greutatea de serviciu(kg)
2700@500	BLC-35M-BOO	3	330-1650	1000	240	190	1100	220	216	145	790
2700@500	BLC-35M-B10	3	330-1650	1000	128	190	1100	220	216	145	690
2700@500	BLC-35M-B01	3	330-1650	1100	240	190	1100	220	220	145	800
2700@500	BLC-35M-B11	3	330-1650	1100	128	190	1100	220	220	145	700
2700@500	BLC-35M-B02	3	330-1650	1200	240	190	1100	220	240	145	820
2700@500	BLC-35M-B12	3	330-1650	1200	128	190	1100	220	240	145	720
2700@500	BLC-35M-B03	3	330-1650	1300	240	190	1100	220	250	145	850
2700@500	BLC-35M-B04	3	330-1650	1400	240	190	1100	220	270	145	870
2700@500	BLC-35M-B23	3	700-2000	1300	240	190	1300	220	250	145	870
2700@500	BLC-35M-B24	3	700-2000	1400	240	190	1300	220	270	145	900



SC Stivuitoare-Lize SRL

Telefon: +40 744 891 111

Email: office@stivuitoarenoi.ro

Website: <https://stivuitoarenoi.ro/>

Comuna Corunca, Str. Principala, nr. 412-413, judet Mures, Romania